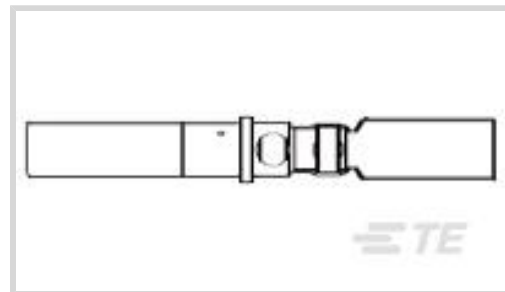




Wire Protection & Management > Interconnect Devices > Shielded Contacts



Shielded Contact Product Type: **Contact**

Shielded Contact Wire & Cable Type: **Coaxial**

Shielded Contact Style: **Socket**

Shielded Contact Size: **12**

Wire Size: **.14 – .08 mm²**

Features

Product Type Features

Shielded Contact Product Type	Contact
Shielded Contact Wire & Cable Type	Coaxial

Contact Features

Shielded Contact Style	Socket
Shielded Contact Size	12

Termination Features

Termination Method	Solder
--------------------	--------

Dimensions

Wire Size	26 – 28 AWG
-----------	-------------

Usage Conditions

Operating Temperature (Max)	150 °C
-----------------------------	--------

Industry Standards

Government Qualified	No
Military Standard	MIL-C-38999 I, III, IV

Product Compliance

[For compliance documentation, visit the product page on TE.com>](#)

EU RoHS Directive 2011/65/EU	Not Compliant
------------------------------	---------------



EU ELV Directive 2000/53/EC

Not Compliant

China RoHS 2 Directive MIIT Order No 32, 2016

Restricted Materials Above Threshold

EU REACH Regulation (EC) No. 1907/2006

Current ECHA Candidate List: JUNE 2022 (224)

Candidate List Declared Against: JUL 2021 (219)

SVHC > Threshold:

Pb (37% in Solder)

Article Safe Usage Statements:

Do not eat, drink or smoke when using this product. Wash thoroughly after handling. Recycle if possible and dispose of the article by following all applicable governmental regulations relevant to your geographic location.

Halogen Content

Out of Scope - excluded from Halogen requirements

Solder Process Capability

Not applicable for solder process capability

Product Compliance Disclaimer

This information is provided based on reasonable inquiry of our suppliers and represents our current actual knowledge based on the information they provided. This information is subject to change. The part numbers that TE has identified as EU RoHS compliant have a maximum concentration of 0.1% by weight in homogenous materials for lead, hexavalent chromium, mercury, PBB, PBDE, DBP, BBP, DEHP, DIBP, and 0.01% for cadmium, or qualify for an exemption to these limits as defined in the Annexes of Directive 2011/65/EU (RoHS2). Finished electrical and electronic equipment products will be CE marked as required by Directive 2011/65/EU. Components may not be CE marked. Additionally, the part numbers that TE has identified as EU ELV compliant have a maximum concentration of 0.1% by weight in homogenous materials for lead, hexavalent chromium, and mercury, and 0.01% for cadmium, or qualify for an exemption to these limits as defined in the Annexes of Directive 2000/53/EC (ELV). Regarding the REACH Regulation, the information TE provides on SVHC in articles for this part number is based on the latest European Chemicals Agency (ECHA) 'Guidance on requirements for substances in articles' posted at this URL: <https://echa.europa.eu/guidance-documents/guidance-on-reach>

Compatible Parts



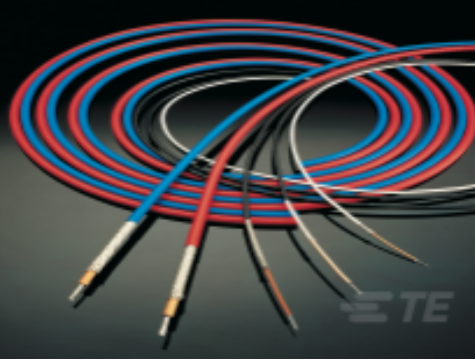
TE Part # 469411-000
0024A0024-9X



TE Part # 759025-000
7824E0422-9X



TE Part # 008735-000
0024G0024-9X



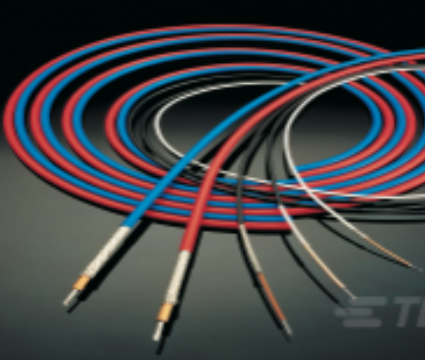
TE Part # 386299-000
7528A1424-9X



TE Part # 659295-000
7530A5524-9



TE Part # 592675-000
9532A5114-0



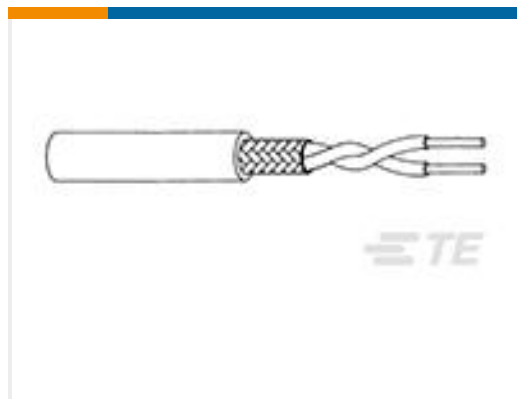
TE Part # 541961-000
7530D1024-9X



TE Part # C07826-000
0024A0024-0



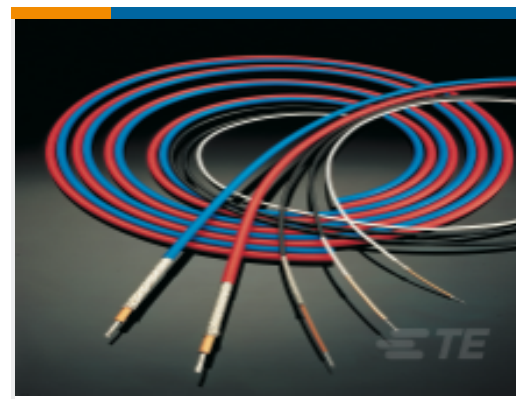
TE Part # CF8816-000
0024F2424-6X



TE Part # CY6750-000
2022E0421-0



TE Part # 208725-000
2026D0024-6X



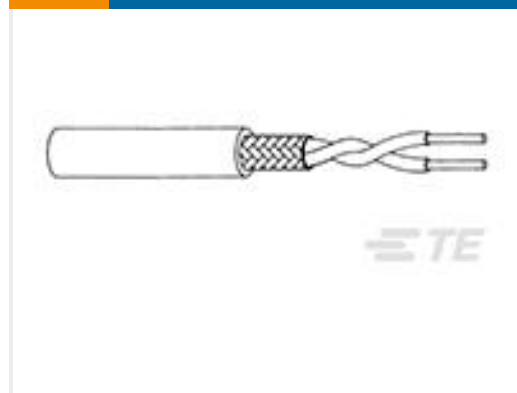
TE Part # E11074-000
7528H1424-9X



TE Part # 605587-000
9530H1014-0



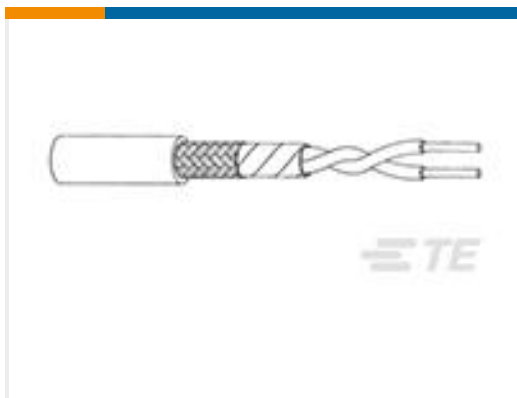
TE Part # CJ2087-000
HL2010E-KIT-120V



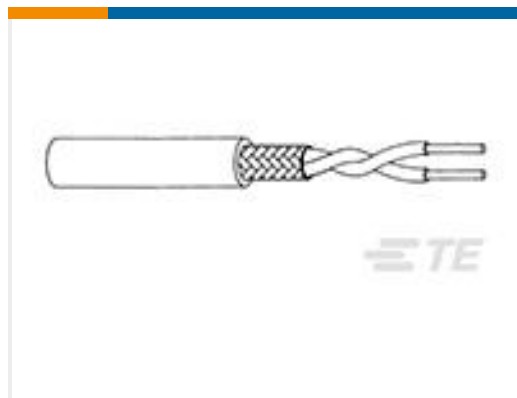
TE Part # 090695-000
0026A0024-9X



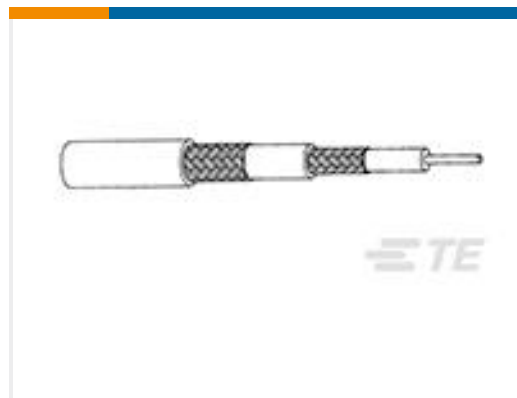
TE Part # EG2735-000
2022Y1422-9X



TE Part # CX5966-000
2524B0524-4



TE Part # 492937-000
0026D0214-9



TE Part # 430081-003
10598-30-9X



TE Part # 935240-000
2020E0421-9X

Documents

Product Drawings

[D-602-0145](#)

English

Datasheets & Catalog Pages

[1654025_Sec8_D-602](#)

English

SolderTacts Contacts

English

Product Specifications

[SolderTact Military-Grade Electrical Contacts for Solder Termination](#)

English

[Terminating Size 12 Series 999 SolderTact Contacts for Coaxial Cable D-602-0144, -0145](#)

English

[Workmanship Standard for SolderTact Contacts](#)

English